

**838 Assembled Roving is designed for continuous panel molding process. It is coated with a silane-based sizing compatible with unsaturated polyester resin.**

**838 is suitable for use in continuously molded transparent panels which feature light weight, high strength, high impact resistance, no white fibers and high light transmittance.**

### Product Features

- Excellent integrity
- Good anti-static property
- Good dispersion after chopping
- Fast wet-out
- Good mechanical properties
- No white fibers

### Identification

Example	ER12-2400-838
Type of Glass	E
Assembled Roving	R
Filament Diameter, $\mu\text{m}$	12
Linear Density, tex	2400
Size Code	838



### Technical Parameters

Linear Density (%)	Moisture Content (%)	Size Content (%)	Stiffness (mm)
ISO 1889	ISO 3344	ISO 1887	ISO 3375
$\pm 5$	$\leq 0.15$	$0.65 \pm 0.15$	$115 \pm 15$

### Packaging

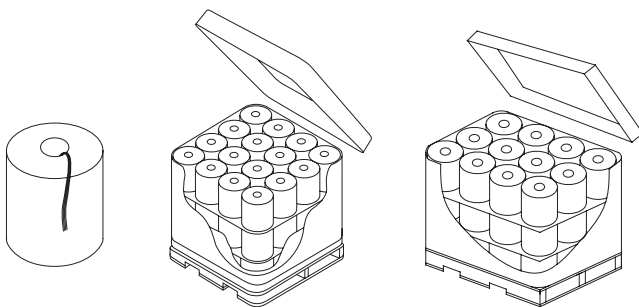
\* The product can be packed on pallet or in small cardboard boxes.

Package height mm (in)	260 (10)	260 (10)
Package inside diameter mm (in)	100 (4)	100 (4)
Package outside diameter mm (in)	270 (10.6)	310 (12.2)
Package weight kg (lb)	17 (37.4)	23 (50.7)

### Storage

Unless otherwise specified, fiberglass products should be stored in a dry, cool and rain-proof area. It is recommended that the room temperature and humidity should be always maintained at  $15^{\circ}\text{C} \sim 35^{\circ}\text{C}$  and  $35\% \sim 65\%$  respectively. To ensure safety and avoid damage to the product, the pallets should not be stacked more than three layers high. When the pallets are stacked in 2 or 3 layers, care should be taken to correctly and smoothly move the top pallet.

Number of layers	3	4	3	4
Number of doffs per layer	16		12	
Number of doffs per pallet	48	64	36	48
Net weight per pallet kg (in)	816 (1797.3)	1088 (2396.5)	828 (1825.4)	1104 (2433.9)



Pallet length mm (in)	1120 (44)		1270 (50)	
Pallet width mm (in)	1120 (44)		960 (37.8)	
Pallet height mm (in)	940 (37)	1180 (46.5)	940 (37)	1180 (46.5)

## JUSHI GROUP CO., LTD.

版权所有：©巨石集团有限公司 ®巨石集团有限公司注册商标

Add: Tongxiang Economic Development Zone, Zhejiang 314500, PRC  
 Domestic Sales: +86-573-88181016 Fax:+86-573-88136222  
 Http://www.jushi.com E-mail:info@jushi.com

International Sales: +86-573-88181026 Fax:+86-573-88181058  
 Customer Service: +86-573-88181017 Fax:+86-573-88181388